

FLASHING ALARM LIGHTS 15 J ABL/ABS



The powerful flashing light in a metal housing.

- Designed for alarm functions outdoors and in large halls and plants.
- Also available with GL approval.
- Housing and fixing bracket made of sturdy anodised aluminium.
- Aggressive environmental conditions or driving rain cannot damage the light.
- Impact-proof lens.
- Ideally suited for tough industrial environments.
- Flash tube additionally secured by a steel clamp.



protection system



operating temperature



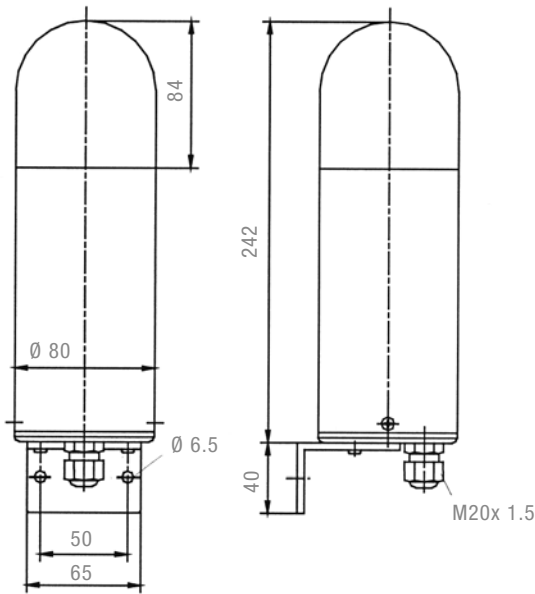
PRODUCT	AC						ABL
DATA							
Rated voltage	230 V	127 V	110 V	48 V	42 V	24 V	
	AC 50 60 Hz	AC 50 60 Hz	AC 50 60 Hz	AC 50 60 Hz	AC 50 60 Hz	AC 50 60 Hz	
Operating range	185–255 V	108–140 V	95–127 V	40–54 V	35–50 V	20–30 V	
Nominal current consumption	0.18 A	0.25 A	0.33 A	0.69 A	0.78 A	1.29 A	

PRODUCT	DC						ABS
DATA							
Rated voltage	60 V DC	48 V DC	36 V DC	24 V DC	12 V DC		
Operating range	50–72 V	40–60 V	29–43 V	18–30 V	10–15 V		
Nominal current consumption	0.26 A	0.35 A	0.55 A	0.7 A	1.5 A		

PRODUCT	ABL	ABS
Flash rate	1 Hz = 60 flashes/min	
Flash energy	15 J	
Light intensity (DIN 5037) ¹	226 cd	
Max. viewing distance	348 m	
Operating temperature	–40 °C ... +55 °C	
Storage temperature	–40 °C ... +70 °C	
Relative humidity	90 %	
Protection system (EN 60529)	IP 54 (vertical mounting)	
Duty cycle	100 %	
Service life of the light source	light emission still 70 % after 8,000,000 flashes	
Material	lens	polycarbonate (PC)
	housing	aluminium (Al Mg Si 1), yellow anodised
	base	polycarbonate (PC) with fibre glass
Cable entry	M20x 1.5	
Connecting terminal	single wire 0.5–2.5 mm ² , fine wire 0.5–1.5 mm ² , with cable end sleeves DIN 46228/1	
Weight	650 g	800 g

¹ with a clear lens

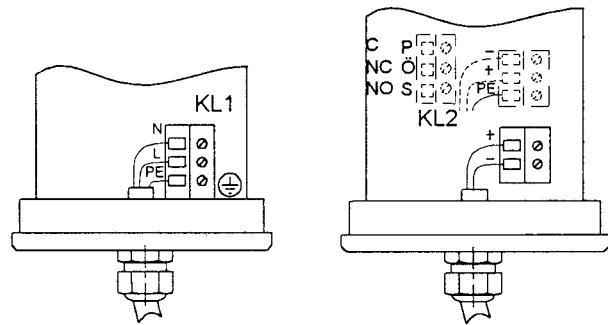
DIMENSIONS



CONNECTION DIAGRAM

ABL

ABS



ARTICLE NO.	ABL		ABS
	230 V AC	110 V AC	24 V DC
	21001103000	21001163000	21001803000
	21001104000	21001164000	21001804000
	21001105000	21001165000	21001805000

Article numbers for other colours and voltages on request.

OPTIONS/ACCESSORIES



Article no.
28710500042

CONFORMITY TO STANDARDS

The visual characteristics of flashing lights conform to the European standard DIN EN 842; “Machine safety – visual alarm signals”. Requirements contained in the DIN EN 981 standard; “Machine safety – system of acoustic and visual alarm and information signals”, can be fulfilled. The colours “red” for the emergency signal and “yellow” for the warning signal conform to the requirements of IEC 73 / DIN EN 60073 / VDE 0199; “Coding of display devices and control elements using colours and supplementary means”.

References to visual alarm devices can be found in the following standards:
 EN 60825-1 Radiation safety of laser devices, identical to IEC 825 and DIN-VDE 0837
 DIN EN 54 Fire alarm systems
 DIN 54113-2 Radiation protection regulations for the technical operation of X-ray equipment up to 500 kV